

**BILL OF MATERIAL**

No.	Name of Piece	No. Req.	Material	Size & Spec
1	Cap & Retainer	1	Polycarb.	Cat. No. 1105000BLK
2	O-Ring Cat. No. 1119	1	Neoprene	4-5/8" x 4-1/4" x 1/8"
3	Body	1	Brass or Galv Steel	20 Ga. - .032"
4	Lens	1	Polycarb.	(See Note #1)
5	Socket	1	Phenolic	Cat No. 0347A00
6	Socket Mounting Screws	2	Stainless Steel	2-38 x 3/4" R.H.
7	Socket Support Stand	1	Brass	Cat. No. 0341001PLB
8	Ground Screw and Nut	1	Stainless Steel	2-38 x 3/4" R.H.
9	Packing Nut & Gland Ring	1	Brass	For 7/16"-SO Cable
10	Certification Plate	1	Brass	Not Available

**NOTES:**

- Lens White (Clear) Stern: Cat. No. 0269001WHT  
Yellow Towing: Cat. No. 0269001YLW
- Socket Medium Prefocus phenolic  
250 Volts - 1000 watts  
Bryant No. 3743 U.L. Listed ( Cat. No. 0347A)
- Weight 5 lbs 0 ozs.

**VISIBILITY AND WATTAGE SPECIFICATIONS\***

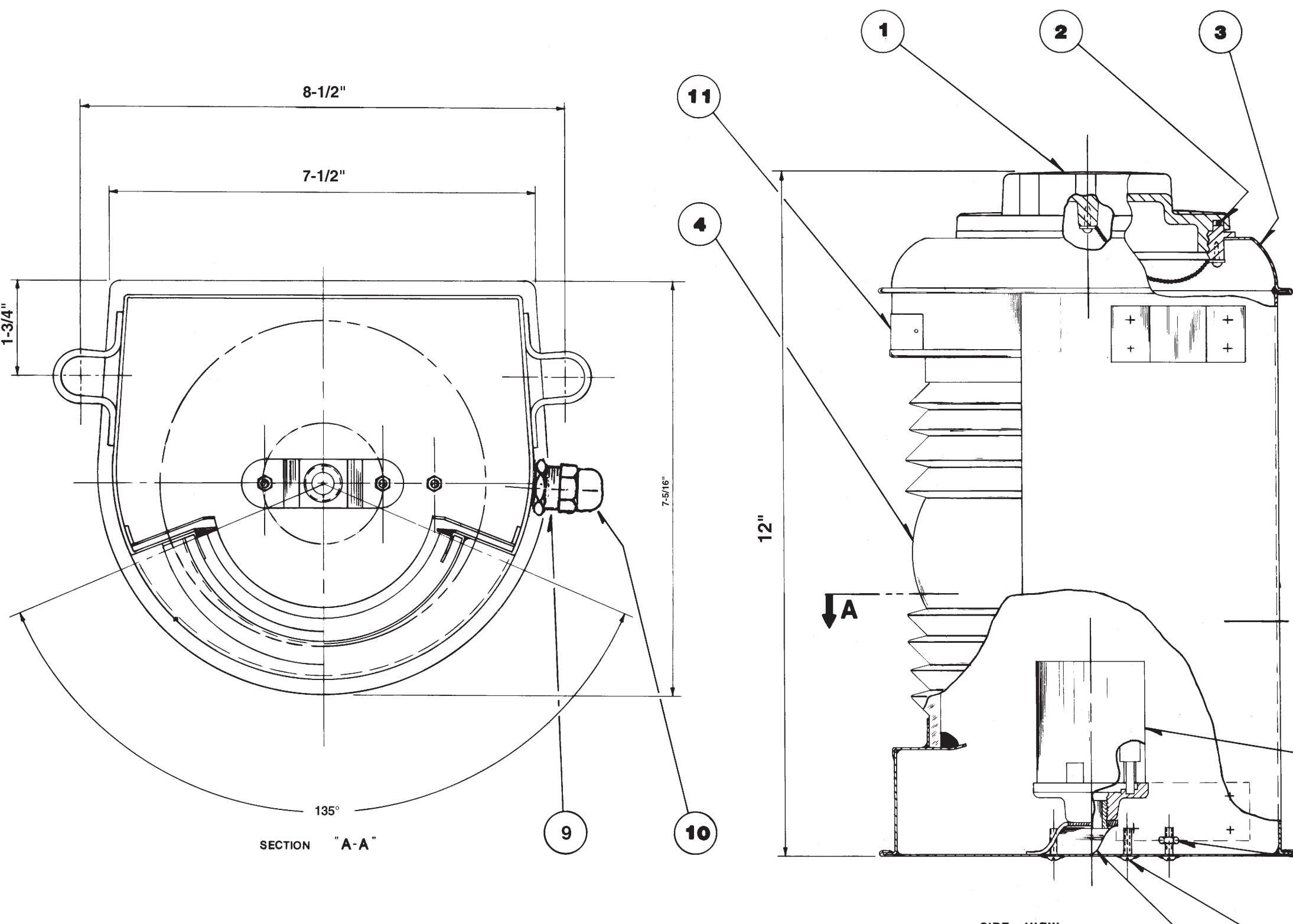
For Vessels Over 20 Meters (65.6 Ft.) in Length						
Cat. No.	Finish	Description	Visible Arc	Visible Miles	Reg. Watts	Lamp Cat. No.
1152E01GAL	Galv Steel	White Stern	135°	2	7.5	0342000CLR
1152E01PLB	Pln Brass	White Stern	135°	2	7.5	0342000CLR
1152E01POL	Pol Brass	White Stern	135°	2	7.5	0342000CLR
1152ME1GAL	Galv Steel	Yellow Towing	135°	2	7.5	0342000CLR
1152ME1PLB	Pln Brass	Yellow Towing	135°	2	7.5	0342000CLR
1152ME1POL	Pol Brass	Yellow Towing	135°	2	7.5	0342000CLR

\*Bulb Data - These are special PERKO Navigation Lamps, 120 Volts, T-10, Prefocus Base, C-8 Filament, Clear 2-3/8 Inch L.C.L., and must be used to meet the '72 COLREGS.

These navigation lights meet the U.S. Coast Guard Requirements under the '72 COLREGS and are classified by Underwriters' Laboratories Standard U.L. 1104 to meet the '72 COLREGS.

**NOTE:**  
WIRE ONLY THROUGH TERMINAL TUBE USING 16/3 SO CABLE WITH 7/16 INCH NOMINAL O.D. TO RETAIN WATERTIGHT INTEGRITY AND COMPLY WITH U.L. 1104.

<b>PERKO®</b>	
16490 N.W. 13th Avenue	Miami, FL 33169-5707
Date: 9/17/82	Drawn By: D. Beutler
Scale: None	Revised: 7/28/99
CAT. NO.S 1152E01 AND 1152ME1 STERN & TOWING NAVIGATION LIGHTS	



**NAVIGATION LIGHT CERTIFICATE OF COMPLIANCE**

This navigation light has been tested and classified by UNDERWRITERS' LABORATORIES, INC. (U.L.) in accordance with the '72 COLREGS and the U.S. INLAND NAVIGATION RULES ACT OF 1980. When properly installed, and fitted with the correct lamp, this light is approved by the U.S. Coast Guard for use aboard U.S. Coast Guard inspected vessels. This certification is also accepted by other inspecting authorities. An identification plate attached to the light provides lamp replacement and official certification information.

Upon installation, record information below from the identification plate, as applicable to the class of vessel on which the light is to be fitted.

Type of Light \_\_\_\_\_  
(White Stern or Yellow Towing)

Cat. No. \_\_\_\_\_  
(1152E01 and 1152ME1)

D.O.M. No. \_\_\_\_\_  
(Die Stamped)

Vessel Length \_\_\_\_\_  
(Under 50 Meters)

Replacement Lamp \_\_\_\_\_  
Cat No. of lamp

Date of Installation \_\_\_\_\_

Vessel Identification \_\_\_\_\_